

E-Fob



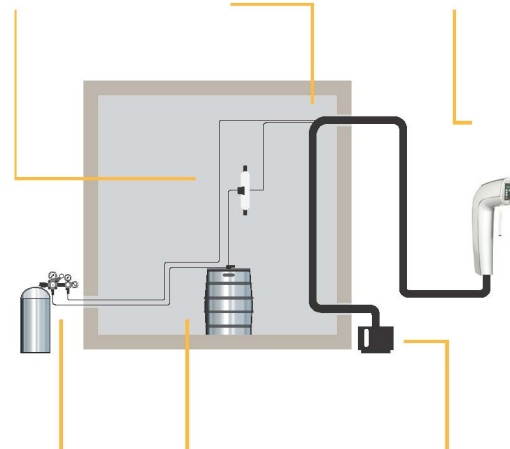
Pythons



Tap



the
reVENUE
exactap
system!



Gas regulators



Cellar solutions



Cooling

Fixed installation exactap system:
Fitted to existing and new installations

Complete System Offering Ancillary exactap products

- Empty keg sensing
- Keg change System
- Line Cleaning
- Automated 'Beer Saver' Program

Advanced connectivity options:
ethernet networking, diagnostics, automated line cleaning



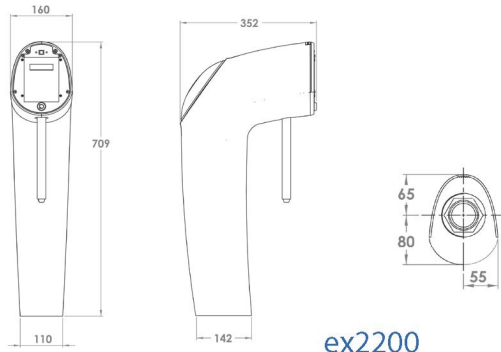
DIGITALDISPENSE plc
Connaught House, Burlington Road
Dublin 4, Ireland
Company# : 500485
+353 (0)1 254 2880

www.digitaldispense.com

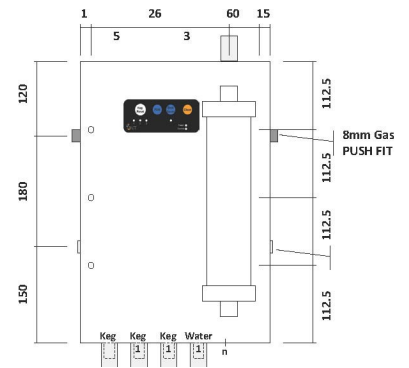
SPEED to increase sales...
Realize 50% more beer sales!

CONTROL to reduce costs & improve quality...
Realize over 98% keg yield
Perfect in-glass presentation!

DATA to optimize concessions...
Track every pour!



ex2200



exactap auto Keg-Changer

Overall Dimensions:

160 mm W x 352 mm D x 709 mm H

Base Dimensions:

110 mm W x 143 mm D

Tower Weight:

17.5 lb / 8 kg

Beer Line:

3/8" ID Vinyl Beverage tube

Pneumatic System Gas Line:

1/4" OD Red Poly tube

Top Keg Pressure Line:

1/4" OD Blue Poly tube
(Only used in UK market for Weight and Measure)

Recirculation Lines:

1/4" OD Poly tube

Pressure Specifications:

Pneumatic pressure : 100 psi / 6.8 bar
(CO2 / Mixed gas / Compressed air)
Keg pressure : up to 45 psi / 3.0 bars (CO2 / Mixed gas)

Electrical Specifications:

100-240 VAC 50-60 Hz

Countertop Shank Drill Size:

50 mm diameter minimum

Mains Water Inlet for Beer Saver:

1/2" JG hose barb

Keg Inlet:

1,2 or 3 1/2" JG Push Fit Bulk Head

Outlet to exactap:

1/2" JG Push Fit Bulk Head

FOB Capacity:

450 ml

Dimensions:

450 mm X 350 mm X 70 mm

Mounting Plate:

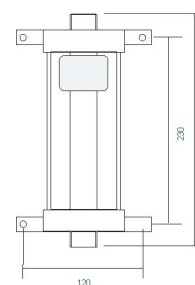
453 mm X 350 mm X 70 mm

Weight:

7.9 lb / 3.5 kg

Power Input:

24 V DC, 1.5A DC



E Fob

Inlet-Outlet:
1/2" BSP

Capacity:
450 ml

Vent
Button Valve