

The ultimate
in exactap
pourtability



mobile
& compact
exactap system

Complete
'plug and pour'
operation

Extensive
cooling capacity
1 hp / 30 kg, 50 kg & 70 kg
icebank system
offerings



DIGITALDISPENSE plc
Connaught House, Burlington Road
Dublin 4, Ireland
Company# : 500485
+353 (0)1 254 2880

www.digitaldispense.com

SPEED to increase sales...

Realize 50% more beer sales!

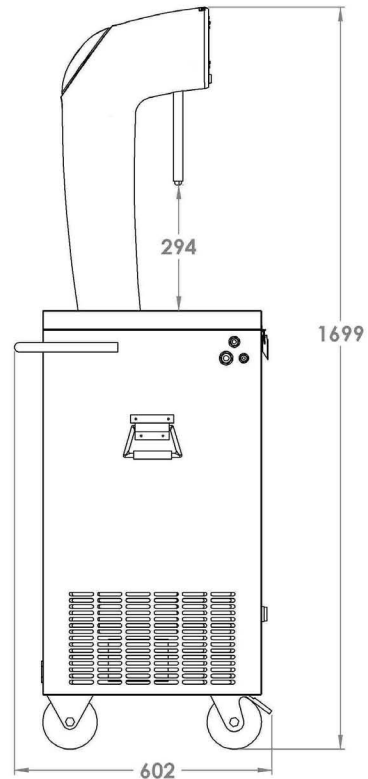
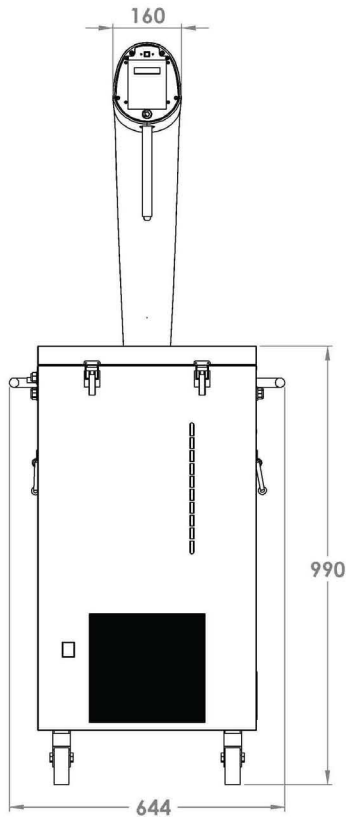
CONTROL to reduce costs & improve quality...

Realize over 98% keg yield

Perfect in-glass presentation!

DATA to optimize concessions...

Track every pour!



Overall Dimensions:

644 mm W x 602 mm D x 1699 mm H

Cooling Coil:

St. Steel 316 L 7x8 mm (5/16" OD)
3 parallel coils = 177 ft / 54 mt total length

Cooler Dimensions:

530mm W x 525mm D x 990mm H

Power Supply:

230 V – 50 Hz or 110 V – 60 Hz

Overall Weight:

160 lb / 72 kg

Cooler Ice-up Time with Water @ 59°F / 15°C

120 min

Cooler Weight:

198.42 lb / 90 kg

Nominal Dispense Rate:

12 lt/min

Compressor Size:

1 hp / 34 cc

Maximum Throughput with Beer Inlet @ 25°C

150 lt in 15 min with outlet beer Temperature between 35°-39°F / 2°C - 4°C

Cooling Power:

2013 W

Recovery Time:

1 hour

Water Tank Capacity:

69 lt

Recirculation Pump:

7 mt H

Ice Bank:

66 lb / 30 kg (standard spec. exp2200)