



SPEED

CONTROL

DATA

exPLORE THE PROFITABILITIES

Only EXACTAP delivers Revolutionary Dispense Speed with Precision Control. The patented exactap 'active-compensator' tap technology results in unprecedented dispense speed (0,5 L in under 3 seconds) and singular control and data collection features resulting in a perfect pour everytime!

Last year alone:
over \$ 12,1 million in incremental beer sales!
\$ 2,3 million in cost savings!
\$ 560k saved in labor costs!



Revolutionary Speed = REVENUE

- Faster pours mean more transactions
- 20%-55% increased beer sales
- Up to 67% reduction in labor
- Eliminates pre-pouring

Precision Control = PROFIT

- Perfect pours mean increased keg yield
- 8%-24% more servings from every keg
- Programmable in-glass presentation with digital foam control
- Metered dispense
- UK Weights & Measures approved

Complete Data Collection = OPTIMIZATION

- Data storage/retrieval
- Inventory control and management
- POS system integration
- Smart System Diagnostics
- On-Top LCD interface

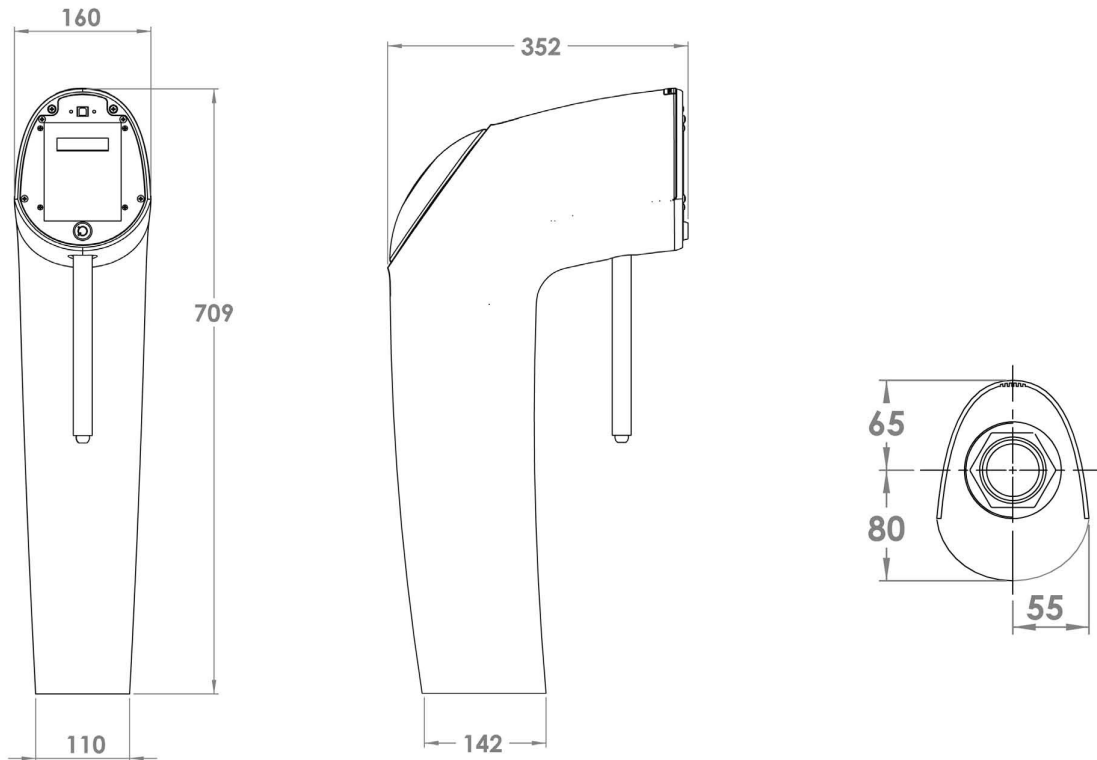


DIGITALDISPENSE plc
Connaught House, Burlington Road
Dublin 4, Ireland
Company# : 500485
+353 (0)1 254 2880

www.digitaldispense.com

exactap systems:





Overall Dimensions:

160 mm W x 352 mm D x 709 mm H

Top Keg Pressure Line:

1/4" OD Blue Poly tube
(Only used in UK market for Weight and Measure)

Base Dimensions:

110 mm W x 143 mm D

Recirculation Lines:

1/4" OD Poly tube

Tower weight:

17.5 lbs / 8 kg

Pressure Specifications:

Pneumatic pressure : 100 psi / 6.8 bar
(CO₂ / Mixed gas / Compressed air)
Keg pressure : up to 45 psi / 3.0 bars (CO₂ / Mixed)

Beer Line:

3/8" ID Vinyl Beverage tube

Electrical Specifications:

100 Vac-240 Vac / 50-60 Hz

Pneumatic System Gas Line:

1/4" OD Red Poly tube

Countertop Shank Drill Size:

50 mm Dia.