



SPEED

CONTROL

DATA

Connect to exactap bar mobility



Build a bar anywhere
functionality
Interlocking
Connect Carts

Modular performance
Up to 3 exactap
dispensers
per cart

Up to 70 kg
of icebank
in each cart

Extensive Branding
Opportunities
Overhead Banner
Panel branding



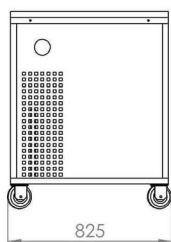
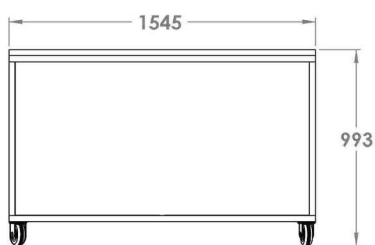
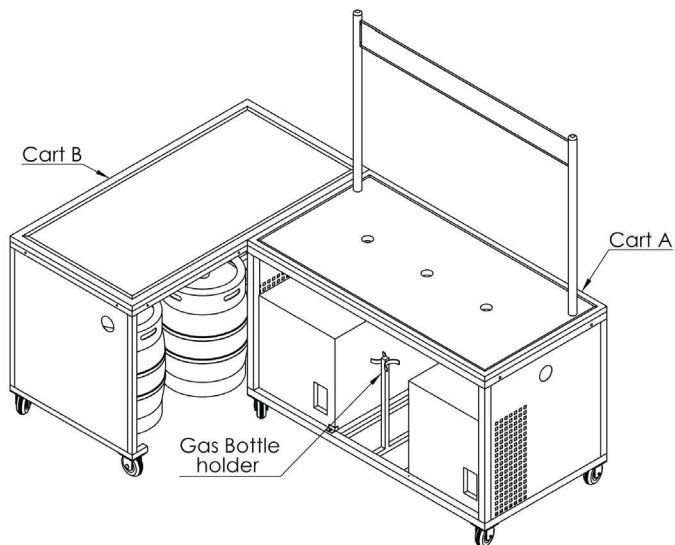
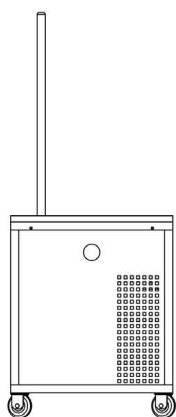
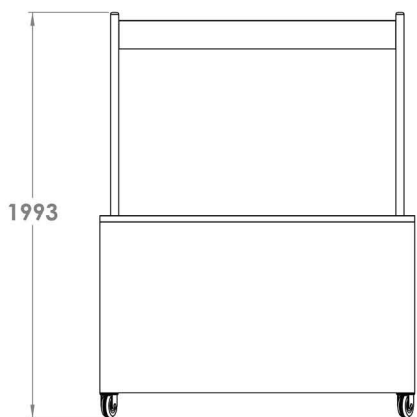
DIGITALDISPENSE plc
Connaught House, Burlington Road
Dublin 4, Ireland
Company# : 500485
+353 (0)1 254 2880

www.digitaldispense.com

SPEED to increase sales...
Realize 50% more beer sales!

CONTROL to reduce costs & improve quality...
Realize over 98% keg yield
Perfect in-glass presentation!

DATA to optimize concessions...
Track every pour!



Net Weight, A Cart:

90 kg

Net Weight, B Cart:

80 kg

Max Weight at Full Capacity:

(2 x coolers, 2 x towers, ancillaries) 380 kg

B Cart Max Kegs:

6 x 50 lt Kegs

Cart Material:

Stainless Steel 304